

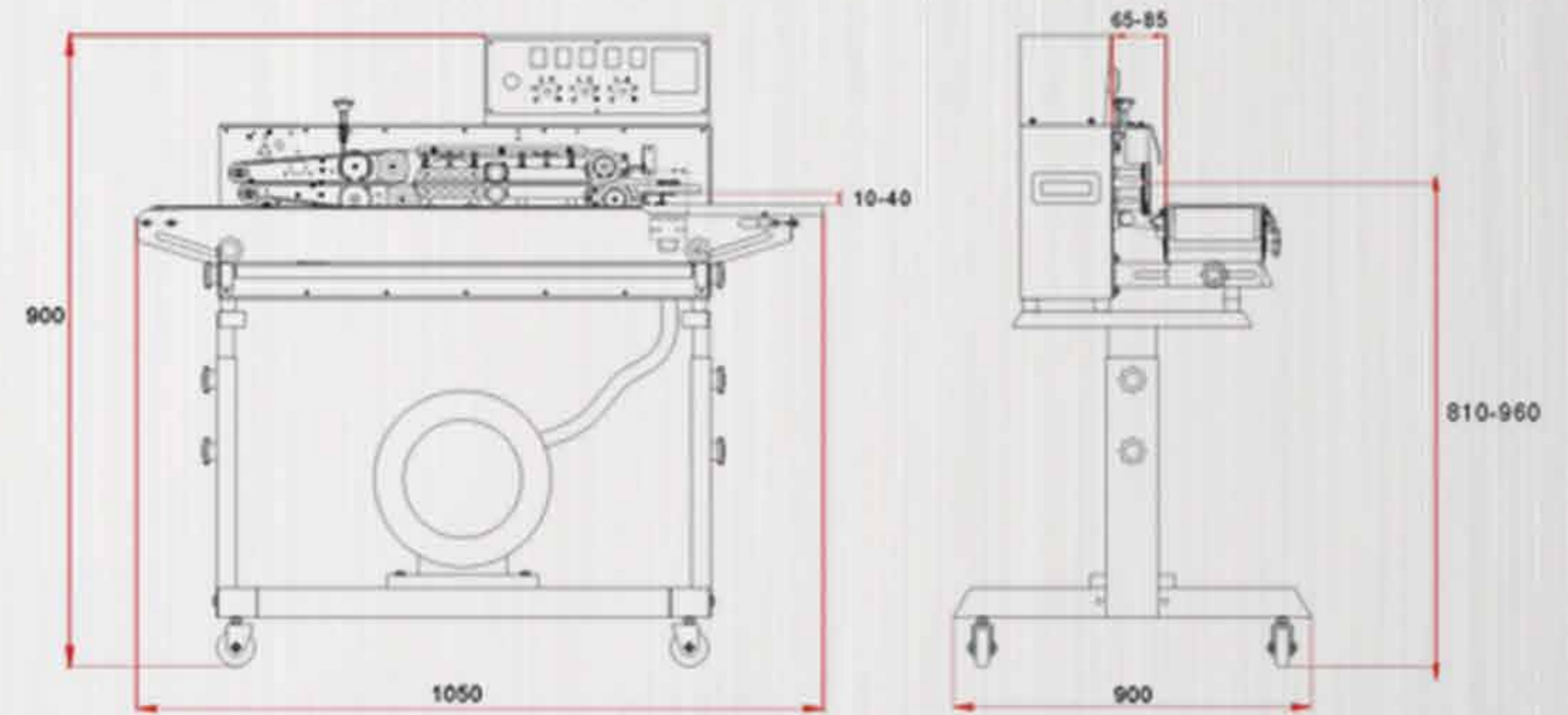
CONTINUOUS SEALER

WITH GAS BLOWER

FRM SERIES



CONTINUOUS SEALER WITH GAS BLOWER FRM SERIES



MODEL	VOLTAGE (V/Hz)	POWER (W)	SEALING POWER (W)	SEALING SPEED (m/min)	SEALING WIDTH (mm)	TEMPERATURE RANGE (°C)
FRMQ 980III	AC 220/50	235	300*2	0 - 16	10	0 - 300
FRMC980III	AC 220/50	235	300*2	0 - 16	10	0 - 300

PRINTING TYPE	DISTANCE FROM THE SEALING CENTER OF THE CONVEYING TABLE (mm)	CONVEYOR SIZE (mm)	EXTERNAL DIMENSION (mm)	NET WEIGHT (Kg)
Solid Ink Roller	10 - 40	930*153	1050*560*900	62
Solid Ink Roller	10 - 40	930*153	1050*560*900	62